

XL7 The All-in-One Controller



Twice the Connectivity of all other products in its class



- High Performance Logic Controller... with Online Programme Change Capability
- 7" WVGA Color Touchscreen with 1000 nits of Brightness
- Built-in Digital & Analog I/O with Two 1MHz High-speed Counters
- Dual 10/100 Ethernet for Factory and World-wide Networking and Communications
- Two CAN Ports for Fieldbus Flexibility
- USB 2.0 Ports for Programming & FLASH Drive Support
- 32GB microSD Slot for Data Logging

A Controller for a Wide-Range of Applications

Meet the XL7 All-in-One Controller from the Horner Automation Group. The XL7 is designed around a high-resolution, wide aspect ratio colour touchscreen. The display allows the XL7 to be used in a variety of ambient lighting conditions with 1000 nits of LED backlighting. Wrapped around the display is a powerful logic engine with built-in I/O and online programming - an invaluable feature for machine commissioning.

Dual Ethernet for Connectivity and Security

The XL7 features Dual 100Mbps Ethernet ports. The primary port can connect you to the rest of the factory or the rest of the world. Link to Factory networks like Modbus/TCP and Ethernet/IP - while also performing standard functions like Web Serving, FTP file transfers, and Email. The second Ethernet port allows for a dedicated Ethernet I/O network isolated from intranet and internet traffic.

Two CAN Ports Put Your Application in Motion

The XL7 includes two CAN ports, for example, on one port, utilise CsCAN for Distributed Plug and Play I/O over a 500m distance. On the second port, integrate our newly introduced SmartServo motion control product line with standard CANopen. Through this single fieldbus link, all programming, commissioning, and real-time motion commands are performed for a tightly integrated motion control system.



For complete product details see
www.horner-apg.com/xl7

 **HORNER**
APG
25 Years of Innovation

XL7 The All-in-One Controller



XL7 Specifications

General Specifications	
Required Power (steady state)	150mA @ 24Vdc
Primary Power Range	10-30Vdc
Relative Humidity	5 to 95% Non-condensing
Operating Temp	-10 to +60°C
Storage Temp	-30 to +70°C

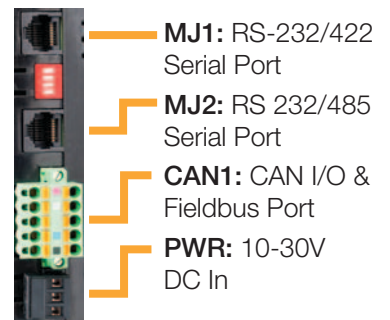
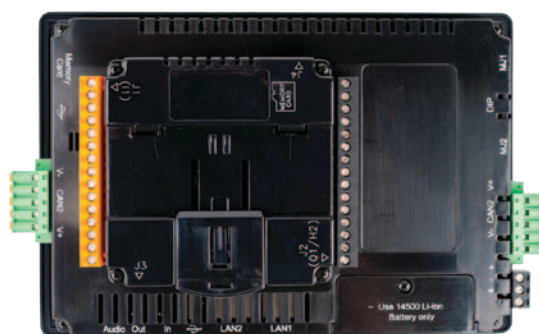
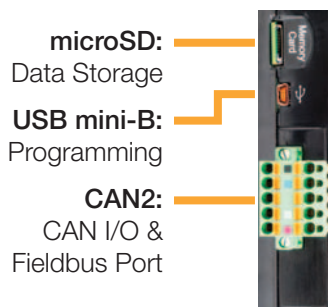
Display Specifications	
Display Type	7" TFT Transmissive Colour
Resolution (colors)	800x480 (16-bit)
Screen Memory (screens)	64MB (1023)
Backlight Type (life)	White LED (50,000 hours)
Screen Brightness	1000 nits (cd/m2)

Control & Logic Specifications	
Control Language Support	Adv. Ladder & Full IEC 61131-3
Logic Size (scan rate)	1MB, max (0.013mS/K)
Online Programming	Supported in Adv. Ladder
I/O References Supported	4096 Digital & 1024 Analog
General Purpose References	50,000 Words & 32,768 bits

High-speed I/O Specifications	
Number of Counters (size)	2 (32-bit)
Maximum Frequency	1 MHz
Modes Supported	
Totalizer, Quadrature, Pulse & Frequency Measurement	
2 Position Controlled Outputs (1 ON/OFF setpoint/output)	

XL7 Connections

XL7 Rear View



Audio In: Microphone*

Audio Out: Speakers*

USB 2.0 "A": FLASH Drives



LAN1: Factory Network & Intranet / Internet Link

LAN2: Dedicated Ethernet I/O

XL7 Model Numbers

Model:	Description
HEXT391C000	No Built-in I/O
HEXT391C112	12 DC In, 6 Relay Out, 4 12-bit Analog In
HEXT391C113	12 DC In, 12 DC Out, 2 12-bit Analog In
HEXT391C114	24 DC In, 16 DC Out, 2 12-bit Analog In
HEXT391C115	12 DC In, 12 DC Out, 2 14/16-bit Analog In (mAV/Tc/mV/RTD), 2 14-bit Analog Out

Expansion & Remote I/O



SmartRail Modular I/O*

*Other I/O options available. Check our I/O Brochure for additional details.



OCS combines Control, Operator Interface, I/O and Network - All in One

Horner APG

Centrepoint, Centre Park Road,
Cork, Ireland

Tel: +353 21 4321-266

Fax: +353 21 4321-826

www.horner-apg.com

Email: sales@horner-apg.com

HORNER
APG
25 Years of Innovation